



COMMAND



<https://mach.io/solutions/>

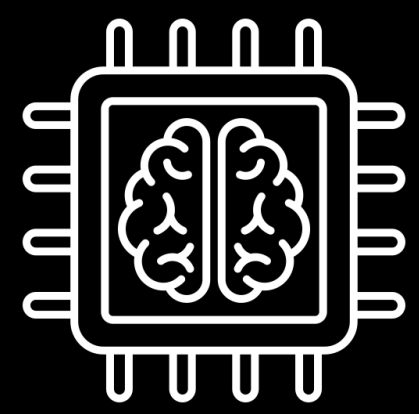
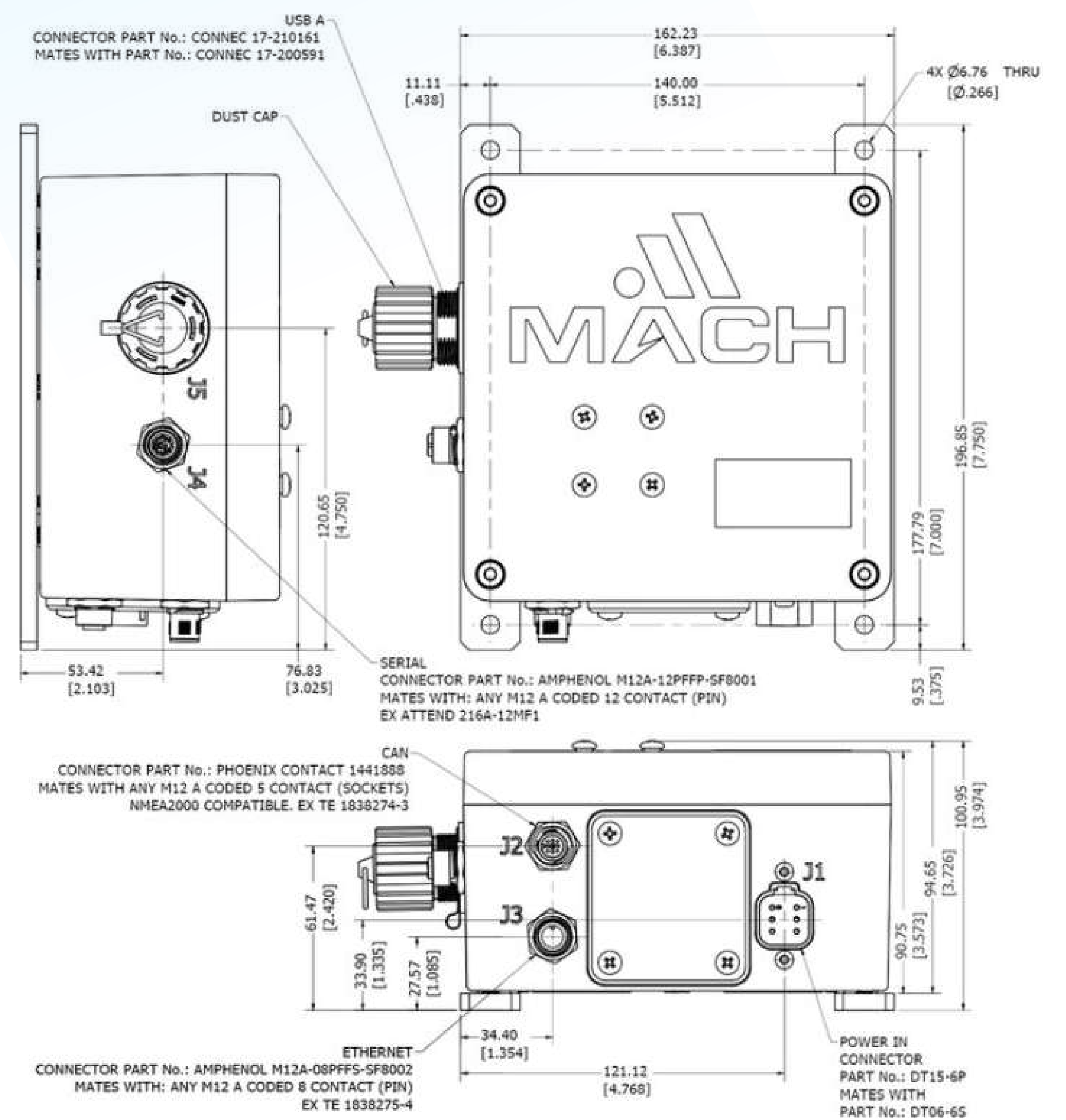
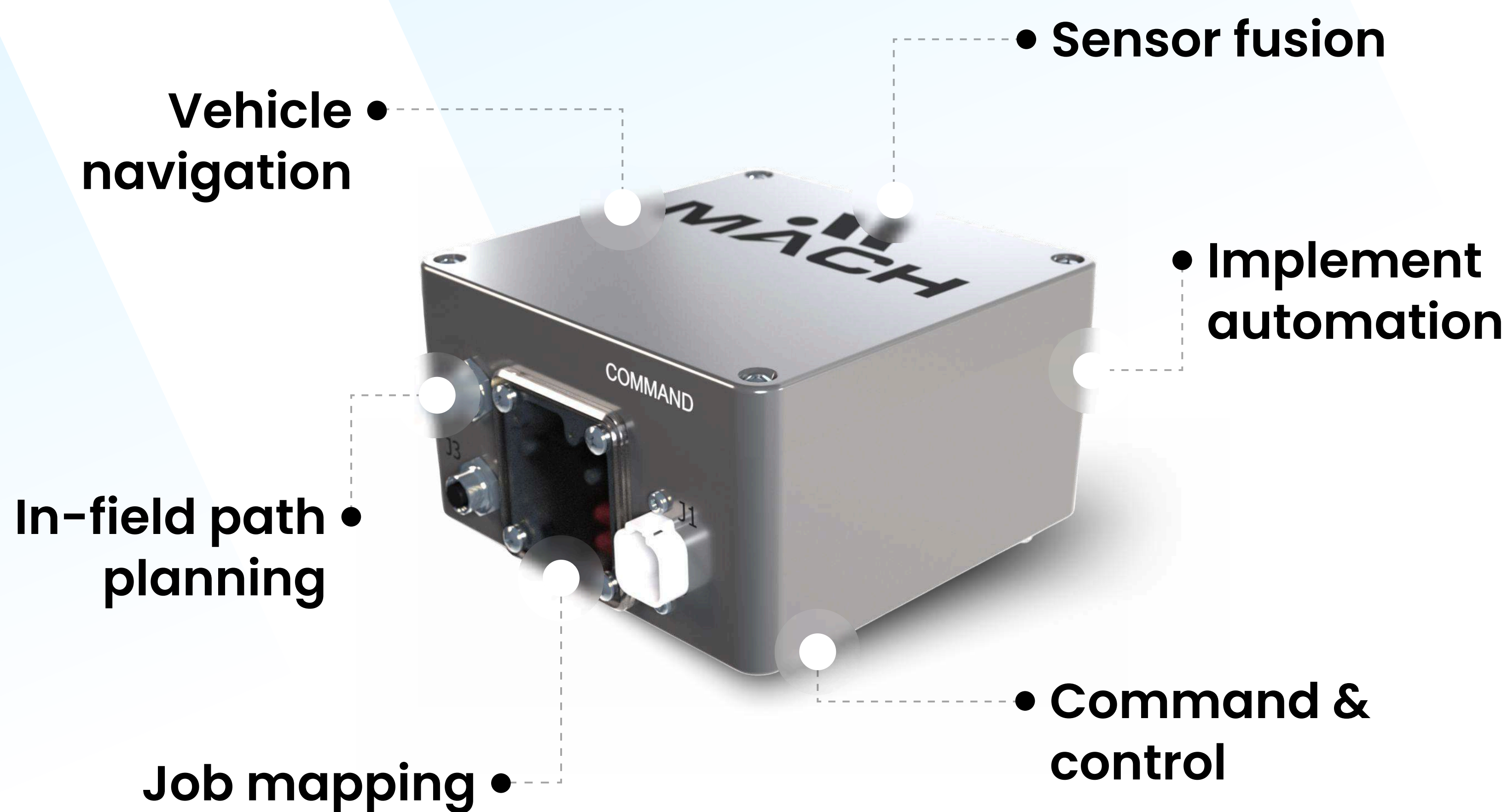
Mach Command serves as the heart of the vehicle's autonomous capability, providing the central processing and dynamic path planning for agricultural, construction and industrial applications. Designed to withstand challenging vehicle environments, Mach Command is equipped with high computing power, data-handling capabilities and storage capacity. Command delivers a continuous, uninterrupted stream of data and instructions to fulfill job execution while handling people, obstacles & other potential real time hazards.

www.mach.io

(301) 447-0120

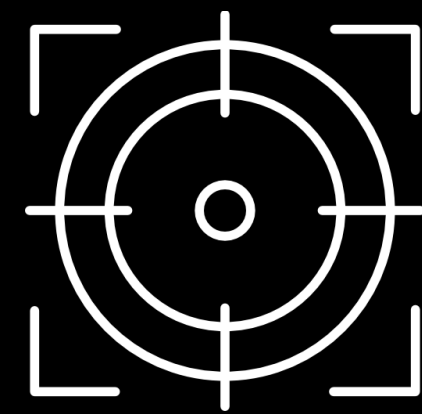
info@mach.io

APPLICATIONS



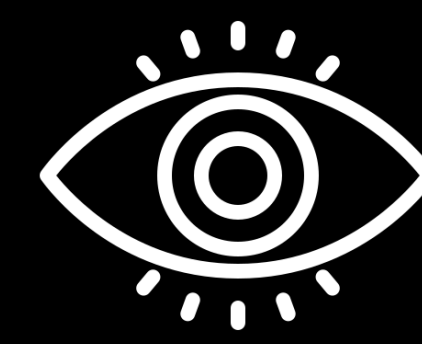
MICRO PROCESSOR

Quad Core Cortex A72 at 1.5Ghz



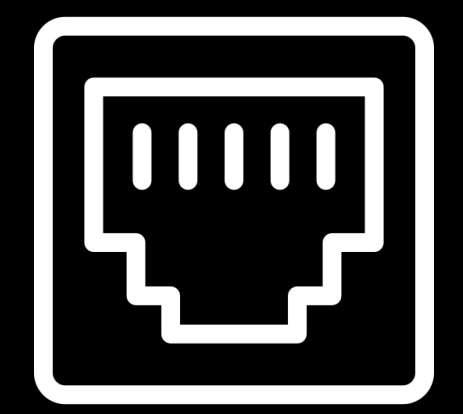
RUGGED DESIGN

Designed to meet MIL-STD-810



IMU

9 DOF MEMS IMU & Fibre optic gyro



CONNECTIVITY

Input Power : 9-32VDC, 1A max

DATA PROCESSING

Microprocessor : Quad core Cortex A72 at 1.5Ghz

Real Time MCU : 480 MHz Cortex M7

DATA STORAGE

Memory: 4 or 8GB RAM

Storage: 256GB SSD

RUGGED DESIGN

Enclosure sealed to IP67

Designed to meet MIL-STD-810

Battery backup to ride through voltage transients

Operating temperature: -20°C to +55°C (limited by back up battery)

Storage temperature: -25°C to +60°C

WIRED CONNECTIVITY/IO

Input power: 9-32VDC, 1A max

Ethernet (1000/100/10 Base-T/TX)

One USB - optional

Two RS232 - optional

One CAN

Two 5A (10A Peak) high side drive outputs

IMU

9 DOF MEMS IMU

Fiber optic gyro (optional)